

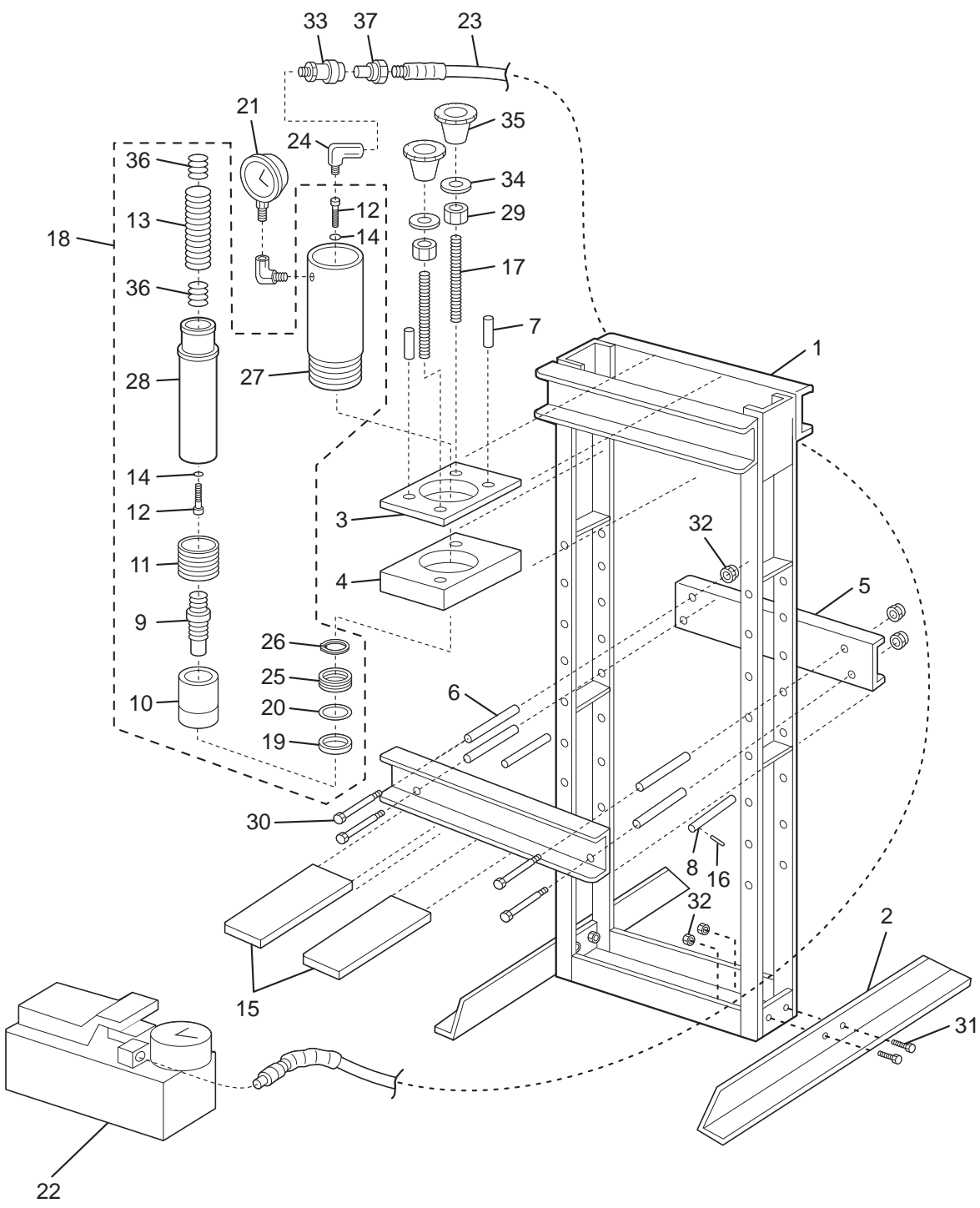
norco

DESCRIPTION
AIR/HYDRAULIC SHOP PRESS

CAPACITY
25 TON

MODEL NO.
78024

REPLACEMENT
PARTS



INDEX NO.	DESCRIPTION	PART NO.	REQ'D NO.
1	Main Frame Assembly	402140	1
2	Base Angle	402139	2
3	Top Plate	402141	1
4	Cylinder Press Plate	402142	1
5	Bed Channel	402032	2
6	Spanner Sleeve, Bed Channel	402033	4
7	Expansion Pin	402143	2
8	Bed Locator Bar	402036	2
9	Ram Plunger	402144	1
10	Plunger Cap	402146	1
11	Threaded Bushing	402147	1
12	Allen Socket Cap Screw, 3/8" - 24 x 1-1/2" Long	402148	2
13	Ram Retraction Spring	402149	1
14	Washer	402151	2
15	Bed Plate, Pair	402145	2
16	Expansion Pin, 1/4" Dia. x 1-3/4" Long	7048	2
17	3/8" - 16 Threaded Rod	402152	2
18	Complete Cylinder Assembly	402150	1
19	Bushing	402153	1
20	Packing	402154	1
21	Gauge	402155	1
22	Air/Hydraulic Foot Pump	910130	1
23	9 Foot Hose	402160	1
24	Pipe Elbow	402156	2
25	U-Cup Seal	402157	1
26	Retaining Ring	402158	1
27	Cylinder	402159	1
28	Ram	402161	1
29	Nut	1054	2
30	Bolt, 1/2" - 13 UNC x 8-1/2", Hx. Head, Gr. 2, Zinc	11092	4
31	Bolt, 1/2" - 13 x 1-1/4", Hx. Head, Gr. 5, Zinc	11093	4
32	Locknut, 1/2" - 13, Nyloc	1056	8
33	Female Disconnect	402162	1
34	Lockwasher, Split Medium, 3/8"	2007	2
35	Knob	602064	2
36	Threaded Bushing	402163	2
37	Male Disconnect	402164	1