

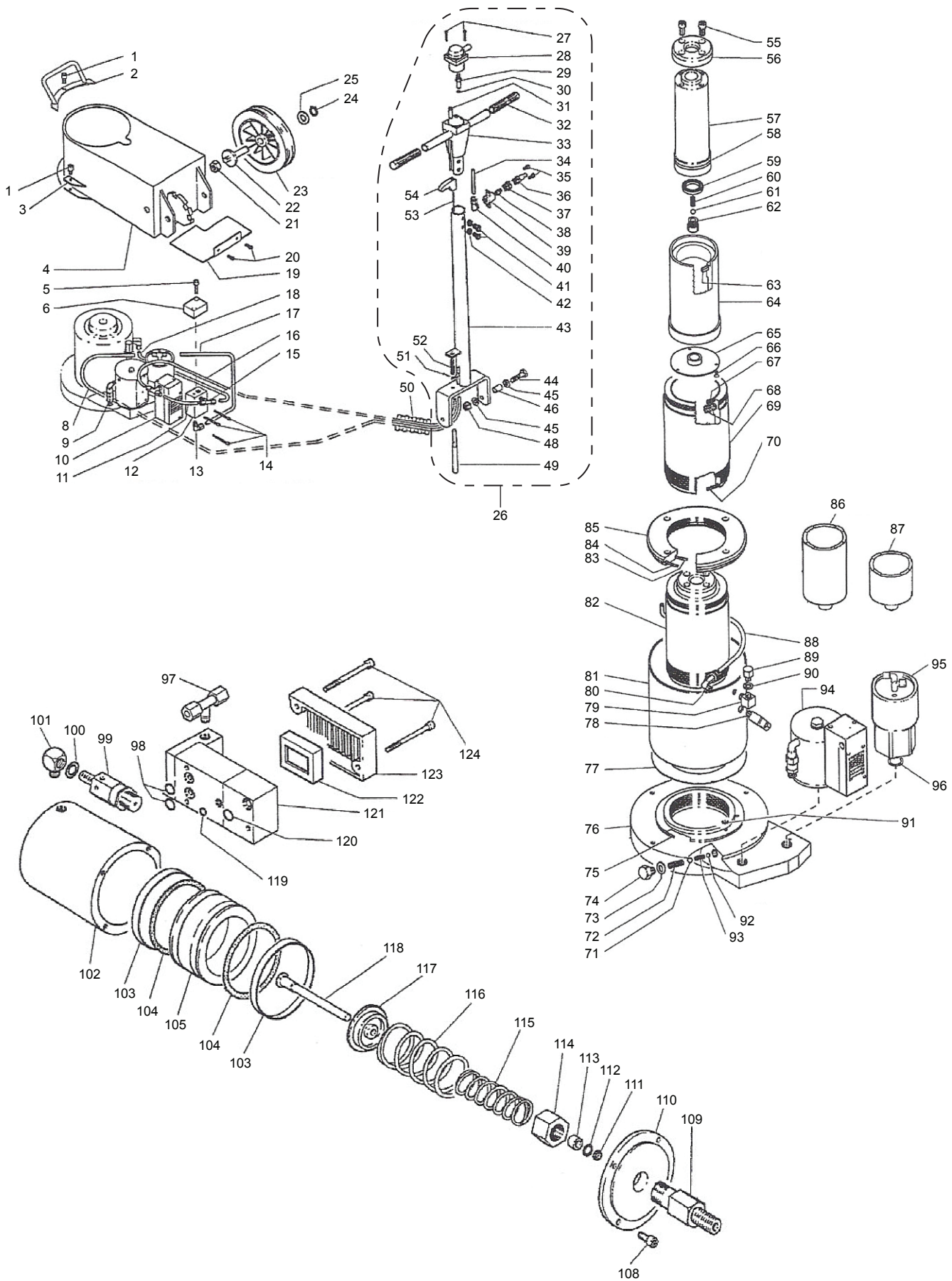


DESCRIPTION
AIR / HYDRAULIC TELESCOPIC FLOOR JACK

CAPACITY
33 / 20 TON

MODEL NO.
72218

REPLACEMENT
PARTS





| INDEX NO. | DESCRIPTION | PART NO. | REQ'D NO. |
|-----------|-------------------------|----------|-----------|
| 1 | Screw | 222636 | 3 |
| 2 | Handle | 222634 | 1 |
| 3 | Washer | 222702 | 2 |
| 4 | Casing | 222703 | 1 |
| 5 | Screw | 222632 | 2 |
| 6 | Silencer | 222631 | 1 |
| 7 | | | |
| 8 | Pipe | 222629 | 1 |
| 9 | Max. Valve w/Fitting | 222628 | 1 |
| 10 | Valve | 222704 | 1 |
| 11 | Pipe | 222706 | 1 |
| 12 | Air Pump Complete | 222624 | 1 |
| 13 | Connector | 222553 | 1 |
| 14 | Screw | 222623 | 3 |
| 15 | Connector | 222592 | 1 |
| 16 | Pipe | 222648 | 1 |
| 17 | Pipe | 222647 | 1 |
| 18 | Pipe | 222707 | 1 |
| 19 | Protection | 222644 | 1 |
| 20 | Screw | 222643 | 2 |
| 21 | Nut | 222642 | 2 |
| 22 | Wheel Pivot | 222641 | 2 |
| 23 | Wheel | 222708 | 2 |
| 24 | Retaining Ring | 222638 | 2 |
| 25 | Washer | 222637 | 2 |
| 26 | Complete Handle Assy | 222555 | 1 |
| 27 | Screw | 222508 | 2 |
| 28 | Control | 222510 | 1 |
| 29 | Connector | 222509 | 1 |
| 30 | Packing | 222518 | 1 |
| 31 | Stop Rod | 222511 | 1 |
| 32 | Handle | 222519 | 2 |
| 33 | Control Support | 222521 | 1 |
| 34 | Pipe | 222522 | 1 |
| 35 | Screw | 222524 | 2 |
| 36 | Quick Release Fitting | 222526 | 1 |
| 37 | Reducing Filter Adapter | 222527 | 1 |
| 38 | Filter | 222528 | 1 |
| 39 | Air Inlet | 222523 | 1 |
| 40 | Connector | 222468 | 1 |
| 41 | Screw | 222529 | 2 |
| 42 | Washer | 222531 | 2 |
| 43 | Handle | 222650 | 1 |
| 44 | Screw | 222532 | 2 |
| 45 | Washer | 222533 | 4 |
| 46 | Bushing | 222534 | 2 |
| 47 | | | |
| 48 | Nut | 222537 | 2 |
| 49 | Stop Pin | 222538 | 1 |
| 50 | Sheath | 222517 | 1 |
| 51 | Split Pin | 222516 | 1 |
| 52 | Spring | 222514 | 1 |
| 53 | Rod | 222649 | 1 |
| 54 | Lever | 222512 | 1 |
| 55 | Screw | 222558 | 4 |
| 56 | Tempered Base | 222559 | 1 |
| 57 | P1 Ram | 222711 | 1 |
| *58 | Packing | 222712 | 1 |
| *59 | Packing | 222714 | 1 |
| 60 | Spring | 222587 | 1 |
| 61 | Ball | 222586 | 2 |
| 62 | Flange | 222718 | 1 |
| *63 | Dust Scraper | 222722 | 1 |
| 64 | P2 Eam | 222723 | 1 |
| 65 | Flange | 222724 | 1 |

| INDEX NO. | DESCRIPTION | PART NO. | REQ'D NO. |
|-----------|------------------------|----------|-----------|
| 66 | Screw | 222731 | 3 |
| *67 | Dust Scraper | 222556 | 1 |
| *68 | Packing | 222568 | 1 |
| 69 | P3 Cylinder | 222726 | 1 |
| *70 | Packing | 222569 | 1 |
| 71 | Ball | 222376 | 1 |
| 72 | Spring | 222543 | 1 |
| 73 | Washer | 222544 | 1 |
| 74 | Plug | 222546 | 1 |
| *75 | Packing | 222547 | 2 |
| 76 | Base | 222548 | 1 |
| 77 | Ring | 222549 | 1 |
| 78 | Pipe Fitting | 222551 | 1 |
| 79 | Pipe Fitting | 222721 | 1 |
| 80 | Pipe Fitting | 222553 | 1 |
| 81 | Tank | 222719 | 1 |
| 82 | Complete Piston | 222713 | 1 |
| *83 | Packing | 222556 | 1 |
| *84 | Packing | 222547 | 2 |
| 85 | Ring Nut | 222709 | 1 |
| 86 | Long Extension | 222580 | 1 |
| 87 | Medium Extension | 222585 | 1 |
| 88 | Pipe | 222571 | 1 |
| 89 | Plug | 222572 | 1 |
| 90 | Washer | 222573 | 1 |
| 91 | Filter | 222574 | 1 |
| 92 | Ball | 222436 | 2 |
| 93 | Spring | 222542 | 1 |
| 94 | Pump | 222727 | 1 |
| 95 | Complete Exhaust Valve | 222721 | 1 |
| 96 | Washer | 222447 | 1 |
| 97 | Pipe Fitting | 222592 | 1 |
| *98 | Packing | 222594 | 2 |
| 99 | Max. Valve | 222596 | 1 |
| 100 | Washer | 222597 | 1 |
| 101 | Pipe Fitting | 222598 | 1 |
| 102 | Air Pump Cylinder | 222599 | 1 |
| *103 | Packing | 222601 | 2 |
| *104 | Packing | 222602 | 2 |
| 105 | Aluminum Piston | 222603 | 1 |
| 106 | | | |
| 107 | | | |
| 108 | Screw | 222548 | 4 |
| 109 | Hyd. Pump Casing | 222604 | 1 |
| 110 | Flange | 222606 | 1 |
| *111 | Packing | 222607 | 1 |
| *112 | Packing | 222608 | 1 |
| 113 | Bushing | 222609 | 1 |
| 114 | Ring Nut | 222611 | 1 |
| 115 | Spring | 222612 | 1 |
| 116 | Spring | 222613 | 1 |
| 117 | Spring Guide | 222614 | 1 |
| 118 | Shaft | 222616 | 1 |
| *119 | Packing | 222617 | 1 |
| *120 | Packing | 222618 | 1 |
| 121 | Valve | 222729 | 1 |
| 122 | Silencer | 222621 | 1 |
| 123 | Cover | 222728 | 1 |
| 124 | Screw | 222623 | 3 |

*Items in Repair Kit 222725

DESCRIPTION
AIR / HYDRAULIC TELESCOPIC FLOOR JACK

CAPACITY
33 / 20 TON

MODEL NO.
72218

REPLACEMENT
PARTS