

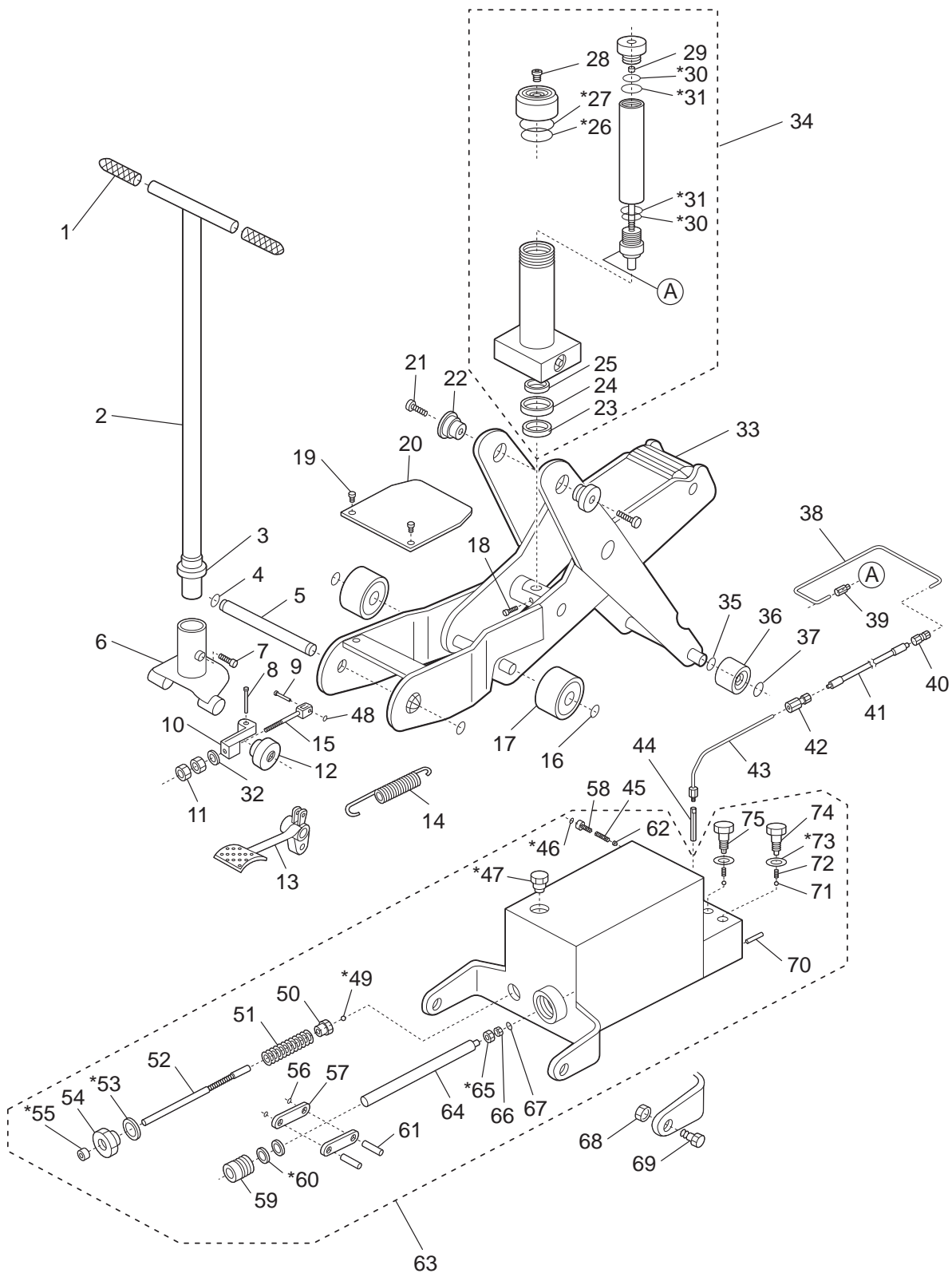
norco

DESCRIPTION
FORKLIFT JACK

CAPACITY
5 TON

MODEL NO.
72036B

REPLACEMENT
PARTS



| INDEX NO. | DESCRIPTION | PART NO. | REQ'D NO. |
|-----------|-------------------|----------|-----------|
| 1 | Handle Grip | 251113 | 2 |
| 2 | Handle | 255626 | 1 |
| 3 | Dust Shield | 255804 | 1 |
| 4 | Retaining Ring | 255135 | 2 |
| 5 | Handle Base Shaft | 229697 | 1 |
| 6 | Handle Base | 229762 | 1 |
| 7 | Handle Base Screw | 255122 | 1 |
| 8 | Cotter Pin | 229763 | 1 |
| 9 | Fastener | 229764 | 1 |
| 10 | Release Arm | 255131 | 1 |
| 11 | Nut | 255128 | 2 |
| 12 | Release Hub | 255130 | 1 |
| 13 | Pump Pedal | 229698 | 1 |
| 14 | Extension Spring | 229699 | 1 |
| 15 | Release Layer | 229866 | 1 |
| 16 | Retaining Ring | 229867 | 2 |
| 17 | Rear Wheel | 229868 | 2 |
| 18 | Set Screw | 229869 | 1 |
| 19 | Cover Screw | 255639 | 2 |
| 20 | Cover | 229871 | 1 |
| 21 | Pivot Bolt | 229872 | 2 |
| 22 | Pivot Sleeve | 229873 | 2 |
| 23 | Ring | 229874 | 1 |
| 24 | Sleeve | 229876 | 1 |
| 25 | Bushing | 229877 | 1 |
| *26 | O-ring | 229878 | 1 |
| *27 | Backup Ring | 229879 | 1 |
| 28 | Plug | 229881 | 1 |
| 29 | Shut-off Valve | 229882 | 1 |
| *30 | Backup Ring | 229883 | 2 |
| *31 | O-ring | 229884 | 2 |
| 32 | Washer | 229767 | 1 |
| 33 | Frame Assembly | 229765 | 1 |
| 34 | Cylinder Assembly | 229620 | 1 |
| 35 | Washer | 229886 | 2 |
| 36 | Front Wheel | 229887 | 2 |
| 37 | Retaining Ring | 229888 | 2 |
| 38 | Pressure Pipe | 229889 | 1 |

| INDEX NO. | DESCRIPTION | PART NO. | REQ'D NO. |
|-----------|--------------------------|----------|-----------|
| 39 | Fitting | 229891 | 1 |
| 40 | Fitting | 229892 | 1 |
| 41 | Hydraulic Hose | 229893 | 1 |
| 42 | Fitting | 229894 | 1 |
| 43 | Pressure Pipe | 229896 | 1 |
| 44 | Oil Valve Complete | 255893 | 1 |
| 45 | Overload Spring | 255525 | 1 |
| *46 | O-ring | 255523 | 1 |
| *47 | Fill Screw | 255015 | 1 |
| 48 | Retainer | 229766 | 1 |
| *49 | Checkball, .156 Diameter | 9021 | 1 |
| 50 | Spring Guide | 255116 | 1 |
| 51 | Spring | 255115 | 1 |
| 52 | Release Shaft | 255114 | 1 |
| *53 | Gasket | 255113 | 1 |
| 54 | Release Guide Bushing | 255112 | 1 |
| *55 | Release Oil Seal | 255111 | 1 |
| 56 | Retaining Ring | 255120 | 2 |
| 57 | Connecting Strap | 255141 | 2 |
| 58 | Overload Cover Screw | 255524 | 1 |
| 59 | Pump Bearing | 255143 | 1 |
| *60 | O-ring | 255142 | 2 |
| 61 | Rivet Pin | 255144 | 2 |
| 62 | Valve | 9004 | 1 |
| 63 | Hydraulic Block Assembly | 229625 | 1 |
| 64 | Pump Piston | 255139 | 1 |
| *65 | Pump Piston "U" Cup | 255136 | 1 |
| 66 | Washer | 255137 | 1 |
| 67 | Retaining Ring | 255138 | 1 |
| 68 | Lock Nut | 255167 | 2 |
| 69 | Bolt | 255166 | 2 |
| 70 | Pin | 229897 | 1 |
| *71 | Checkball, .312 Diameter | 9005 | 2 |
| 72 | Spring | 229898 | 2 |
| *73 | Copper Washer | 255018 | 2 |
| 74 | Cover Screw (Intake) | 229899 | 1 |
| 75 | Cover Screw (Discharge) | 229864 | 1 |
| | REPAIR KIT | 229900 | |

*Designates those parts included in repair kit #229900