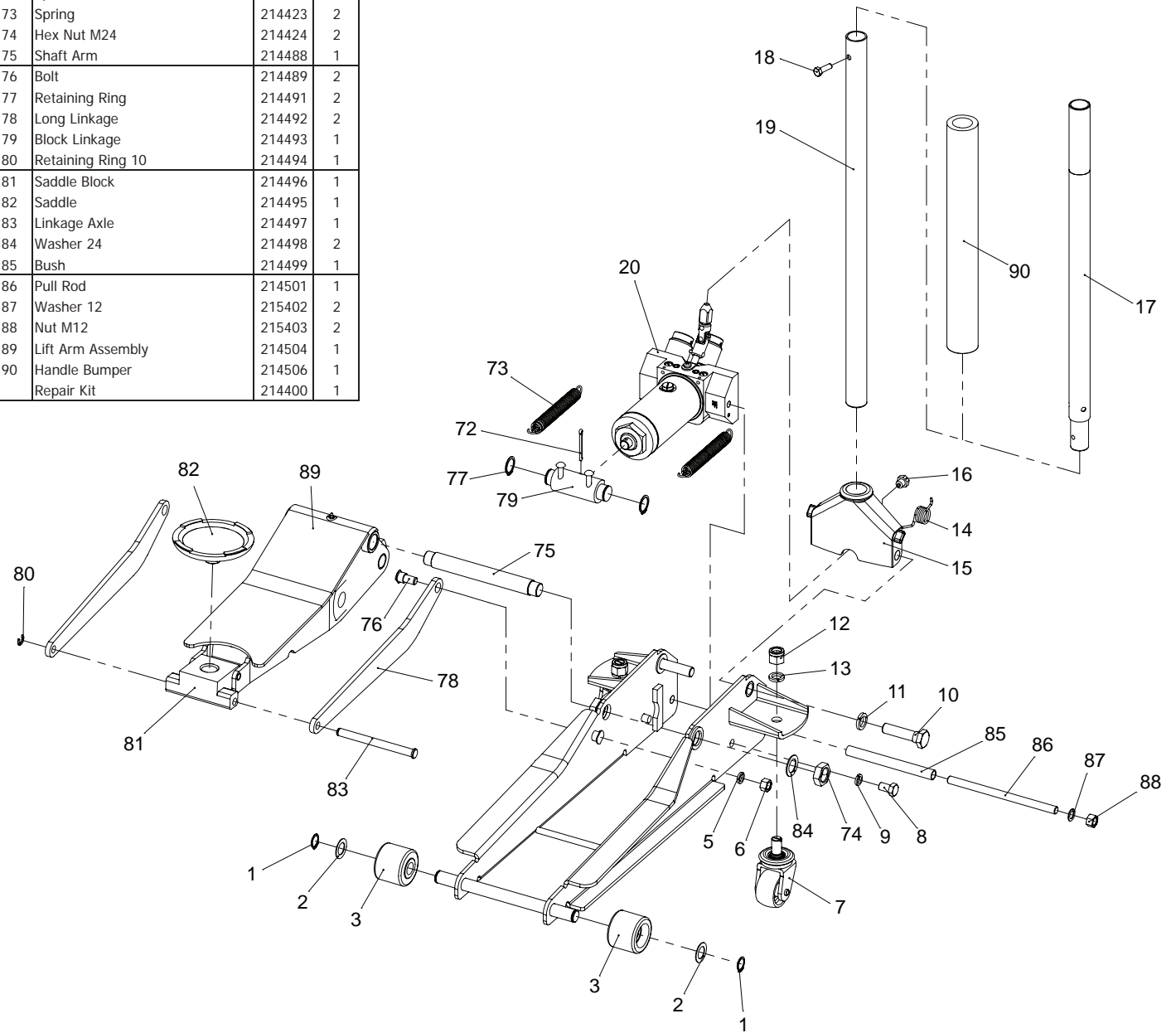


| INDEX NO. | DESCRIPTION | PART NO. | REQ'D NO. |
|-----------|---------------------|----------|-----------|
| 1 | Retaining Ring | 214401 | 2 |
| 2 | Washer | 214402 | 2 |
| 3 | Wheel | 214403 | 2 |
| 4 | Side Plate Assembly | N/A | |
| 5 | Washer M16 | 214404 | 2 |
| 6 | Hex Nut M16 | 214406 | 2 |
| 7 | Caster Assembly | 214407 | 2 |
| 8 | Hex Bolt M12X25 | 214408 | 2 |
| 9 | Spring Washer | 214409 | 2 |
| 10 | Bolt | 214411 | 2 |
| 11 | Spring Washer | 214412 | 2 |
| 12 | Nut M18 | 214413 | 2 |
| 13 | Spring Washer 18 | 214414 | 2 |
| 14 | Torsion Spring | 214416 | 1 |
| 15 | Handle Socket | 214417 | 1 |
| 16 | Bolt | 214418 | 1 |
| 17 | Upper Handle | 214419 | 1 |
| 18 | Hex Bolt M8X25 | 214421 | 1 |
| 19 | Lower Handle | 214422 | 1 |
| 20 | Power Unit Assembly | 214425 | 1 |

| INDEX NO. | DESCRIPTION | PART NO. | REQ'D NO. |
|-----------|-------------------|----------|-----------|
| 72 | Split Pin 4X25 | 214507 | 1 |
| 73 | Spring | 214423 | 2 |
| 74 | Hex Nut M24 | 214424 | 2 |
| 75 | Shaft Arm | 214488 | 1 |
| 76 | Bolt | 214489 | 2 |
| 77 | Retaining Ring | 214491 | 2 |
| 78 | Long Linkage | 214492 | 2 |
| 79 | Block Linkage | 214493 | 1 |
| 80 | Retaining Ring 10 | 214494 | 1 |
| 81 | Saddle Block | 214496 | 1 |
| 82 | Saddle | 214495 | 1 |
| 83 | Linkage Axle | 214497 | 1 |
| 84 | Washer 24 | 214498 | 2 |
| 85 | Bush | 214499 | 1 |
| 86 | Pull Rod | 214501 | 1 |
| 87 | Washer 12 | 215402 | 2 |
| 88 | Nut M12 | 215403 | 2 |
| 89 | Lift Arm Assembly | 214504 | 1 |
| 90 | Handle Bumper | 214506 | 1 |
| | Repair Kit | 214400 | 1 |



**REPLACEMENT
PARTS**

**MODEL NO.
71233**

**CAPACITY
2 TON**

**DESCRIPTION
HYDRAULIC FLOOR JACK W/ DOUBLE PUMP PISTON**

