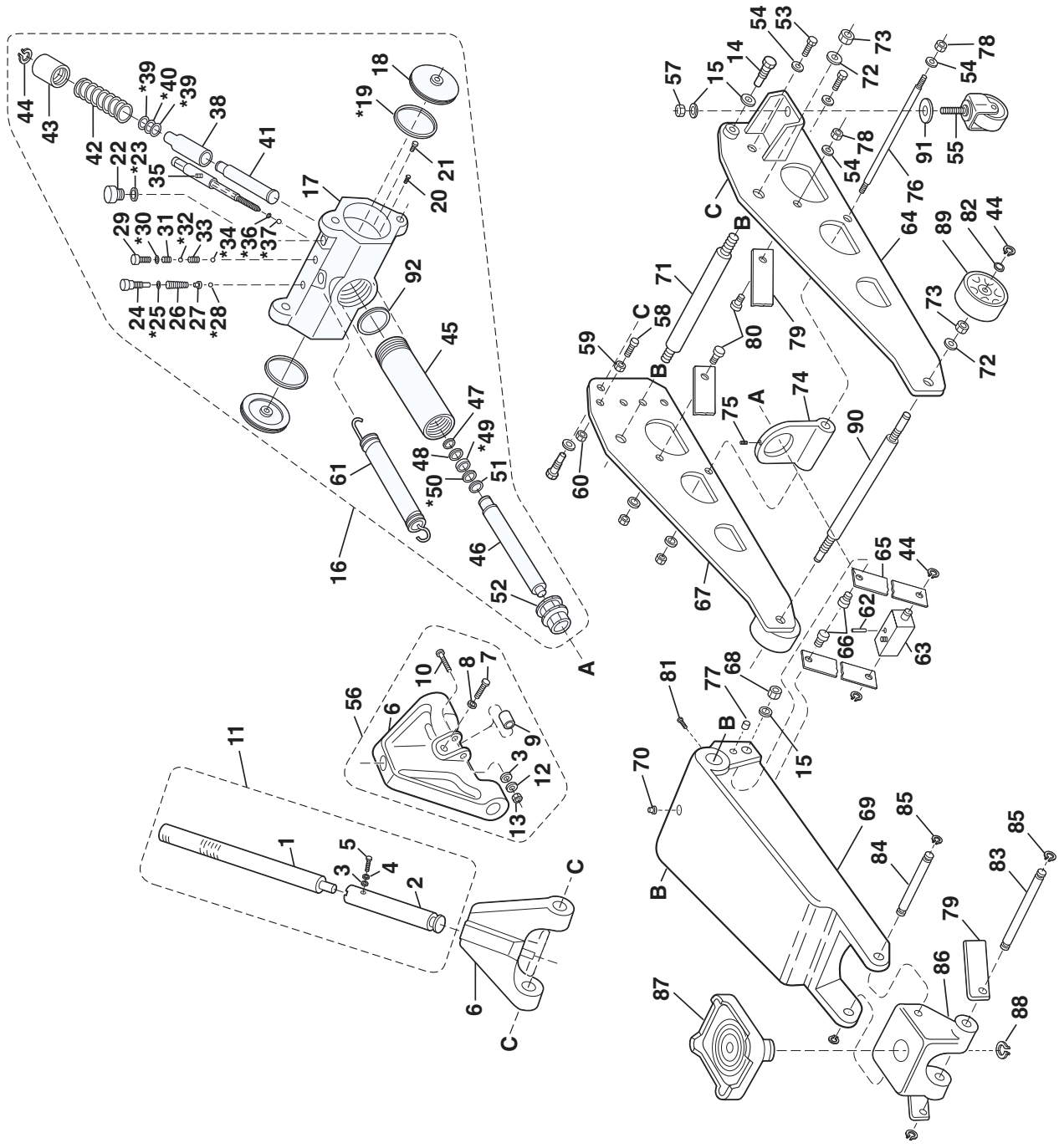


**DESCRIPTION**  
FLOOR SERVICE JACK

**CAPACITY**  
2 TON

**MODEL NO.**  
71202

**REPLACEMENT PARTS**





DESCRIPTION  
FLOOR SERVICE JACK

CAPACITY  
2 TON

MODEL NO.  
71202

REPLACEMENT  
PARTS

INDEX NO.	DESCRIPTION	PART NO.	QTY.
1	Top handle half	218601	1
2	Bottom handle half	218602	1
3	5/16" flat washer	2071	2
4	5/16" internal star lockwasher	2120	1
5	5/16" - 18 x 3/4" long hex. head bolt	3151	1
6	Handle base	218603	1
7	3/8" - 16 x 3/4" long hex. head bolt	3053	1
8	3/8" internal star lockwasher	2122	1
9	Handle base pump roller	218604	1
10	Metric shoulder bolt	218606	1
11	Handle assembly complete	218625	1
12	5/16" split medium lockwasher	2034	1
13	Nyloc metric nut	218607	1
14	Handle base pivot bolt	218608	2
15	3/4" internal star lockwasher	2123	6
16	Hydraulic block assembly complete	218605	1
17	Hydraulic block	218609	1
18	Reservoir end cap	218611	2
*19	O-ring for end cap	218612	2
20	Screen filter	218613	1
21	Port screw plug	218614	1
22	Vented fill plug	218615	1
*23	O-ring for fill plug	218616	1
24	Overload adjustment screw	218617	1
*25	Overload o-ring	218618	1
26	Overload spring	218619	1
27	Overload spring end cap	218621	1
*28	Overload 3/16" dia. checkball	9007	1
29	Valve cap screw	218622	1
*30	Copper washer	218623	1
31	Separator spring (large)	218624	1
*32	Injection port 5/16" dia. checkball	9005	1
33	Separator spring (small)	218626	1
*34	Suction port 7/32" dia. checkball	9017	1
35	Release valve assembly	218620	1
*36	Release valve o-ring	218627	1
*37	Release valve 1/4" dia. checkball	9004	1
38	Pump housing	218628	1
*39	Pump o-ring	218629	2
*40	Pump backup ring	218631	1
41	Pump piston	218632	1
42	Pump spring	218633	1
43	Pump spring cap	218634	1
44	3/4" external retaining ring	12196	5
45	Cylinder	218636	1
46	Ram	218637	1

INDEX NO.	DESCRIPTION	PART NO.	QTY.
47	Ram retaining ring	218638	1
48	Ram backup washer	218639	1
*49	Ram u-cup	218641	1
*50	Ram backup ring	218642	1
51	Ram bearing	218643	1
52	Cylinder bearing	218644	1
53	1/2" - 13 x 1" long hex. head bolt	11104	4
54	1/2" internal star lockwasher	2126	8
55	Caster wheel assembly	218610	2
56	Handle base assembly complete	218630	1
57	3/4" - 10 hex. nut for caster assy.	1012	2
58	3/8" - 16 x 1-1/4" long allen socket cap screw	3118	1
59	3/8" - 16 hexagonal nut	1006	1
60	3/8" - 16 nyloc hexagonal nut	1054	1
61	Ram retraction spring	218646	1
62	3/16" dia. x 1-1/4" long expansion pin	7058	1
63	Trunion	218647	1
64	Left side plate assembly complete	218665	1
65	Trunion arm	218648	2
66	Trunion shoulder bolt	218649	2
67	Right side plate assembly complete	218670	1
68	3/4" - 16 UNF jam nut for trunion bolt	1104	2
69	Elevator arm	218651	1
70	Zerk grease fitting	218652	1
71	Elevator arm pivot pin	218653	1
72	7/8" internal star lockwasher	2127	4
73	7/8" - 9 hexagonal jam nut	1106	4
74	Cylinder support bracket	218654	1
75	Set screw	218656	1
76	Support bracket shaft	218657	1
77	Elevator arm stop pin	218671	2
78	1/2" - 13 hexagonal nut	1007	4
79	Guide arm	218658	2
80	Guide arm shoulder bolt	218659	2
81	Stop pin bolt	218672	2
82	Front axle washer	218668	2
83	Pin (long)	218661	1
84	Pin (short)	218662	1
85	1/2" external retaining ring	12195	4
86	Saddle base	218663	1
87	Saddle	218664	1
88	1-3/16" external retaining ring	12204	1
89	Front wheel	218666	2
90	Front axle	218667	1
91	Caster washer	218673	2
92	Cylinder copper washer	218674	1

\*Designates those parts included in repair kit 218680.